

TECHNICAL DATA

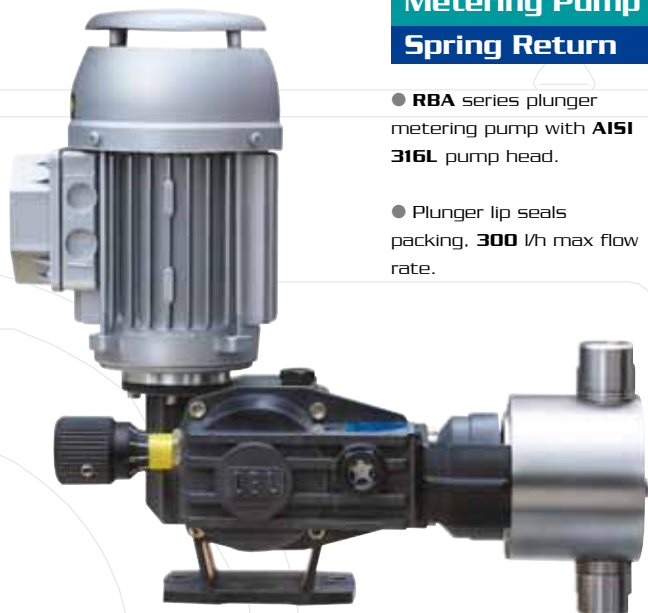
50 Hz

TYPE	STROKES /1	MAX FLOW RATE l/h	MAX PRESSURE BAR		MOTOR kW		THREADED CONNECTIONS	
			MOTOR		3PH	1PH	A	P
			3PH	1PH				
RBA16	36	5	10	10	0.20	0.24	3/8" g.f. - BSPF	
RBA16	50	7	10	10	0.20	0.24	3/8" g.f. - BSPF	
RBA16	70	11	10	10	0.20	0.24	3/8" g.f. - BSPF	
RBA16	95	15	10	10	0.20	0.24	3/8" g.f. - BSPF	
RBA16	115	18	10	10	0.20	0.24	3/8" g.f. - BSPF	
RBA25	50	20	10	10	0.20	0.24	3/8" g.f. - BSPF	
RBA25	70	30	10	10	0.20	0.24	3/8" g.f. - BSPF	
RBA25	95	38	10	10	0.20	0.24	3/8" g.f. - BSPF	
RBA25	115	45	10	10	0.20	0.24	3/8" g.f. - BSPF	
RBA30	50	30	10	10	0.20	0.24	3/8" g.f. - BSPF	
RBA30	70	40	10	10	0.20	0.24	3/8" g.f. - BSPF	
RBA30	95	55	10	10	0.20	0.24	3/8" g.f. - BSPF	
RBA30	115	65	10	10	0.20	0.24	3/8" g.f. - BSPF	
RBA43	50	55	10	10	0.30	0.24	3/8" g.f. - BSPF	
RBA43	70	90	10	10	0.30	0.24	3/8" g.f. - BSPF	
RBA43	95	115	10	10	0.30	0.24	3/8" g.f. - BSPF	
RBA43	115	150	10	10	0.30	0.24	3/8" g.f. - BSPF	
RBA50	50	80	10	10	0.30	0.24	1/2" g.f. - BSPF	
RBA50	70	120	10	8	0.30	0.24	1/2" g.f. - BSPF	
RBA50	95	160	10	7	0.30	0.24	1/2" g.f. - BSPF	
RBA50	115	200	9	6	0.30	0.24	1/2" g.f. - BSPF	
RBA62	50	125	10	5	0.30	0.24	1/2" g.f. - BSPF	
RBA62	70	175	7	4	0.30	0.24	1/2" g.f. - BSPF	
RBA62	95	250	6	3.5	0.30	0.24	1/2" g.f. - BSPF	
RBA62	115	300	5	3	0.30	0.24	1/2" g.f. - BSPF	

60 Hz

RBA16	30	4.5	10	10	0.20	0.24	3/8" g.f. - BSPF	
RBA16	43	6.5	10	10	0.20	0.24	3/8" g.f. - BSPF	
RBA16	60	9	10	10	0.20	0.24	3/8" g.f. - BSPF	
RBA16	84	13	10	10	0.20	0.24	3/8" g.f. - BSPF	
RBA16	118	18	10	10	0.20	0.24	3/8" g.f. - BSPF	
RBA25	40	16	10	10	0.20	0.24	3/8" g.f. - BSPF	
RBA25	60	24	10	10	0.20	0.24	3/8" g.f. - BSPF	
RBA25	84	33	10	10	0.20	0.24	3/8" g.f. - BSPF	
RBA25	118	45	10	10	0.20	0.24	3/8" g.f. - BSPF	
RBA30	43	24	10	10	0.20	0.24	3/8" g.f. - BSPF	
RBA30	60	34	10	10	0.20	0.24	3/8" g.f. - BSPF	
RBA30	84	48	10	10	0.20	0.24	3/8" g.f. - BSPF	
RBA30	118	65	10	10	0.20	0.24	3/8" g.f. - BSPF	
RBA43	43	50	10	10	0.30	0.24	3/8" g.f. - BSPF	
RBA43	60	78	10	10	0.30	0.24	3/8" g.f. - BSPF	
RBA43	84	100	10	10	0.30	0.24	3/8" g.f. - BSPF	
RBA43	118	150	10	10	0.30	0.24	3/8" g.f. - BSPF	
RBA50	43	70	10	10	0.30	0.24	1/2" g.f. - BSPF	
RBA50	60	102	10	8	0.30	0.24	1/2" g.f. - BSPF	
RBA50	84	140	10	7	0.30	0.24	1/2" g.f. - BSPF	
RBA50	118	200	9	6	0.30	0.24	1/2" g.f. - BSPF	
RBA62	43	105	10	5	0.30	0.24	1/2" g.f. - BSPF	
RBA62	60	152	7	4	0.30	0.24	1/2" g.f. - BSPF	
RBA62	84	205	6	3.5	0.30	0.24	1/2" g.f. - BSPF	
RBA62	118	300	5	3	0.30	0.24	1/2" g.f. - BSPF	

Plunger Metering Pump Spring Return



● RBA series plunger metering pump with **AISI 316L** pump head.

● Plunger lip seals packing, **300 l/h** max flow rate.

Flow rates: ● Max flow rate **300 L/h.**

Motors: ● Threephase special
- 0.20 / 0.30 kW -
4 Poles - IP55 - I.C.L.F - S1 - IEC 34-1

Δ - 230 V - **50 Hz**
λ - 400 V - **50 Hz**
Δ - 220÷290 V - **60 Hz**
λ - 380÷500 V - **60 Hz**

● Singlephase special
- 0.24 kW - 4 Poles
- IP55 - I.C.L.F - S1 - IEC 34-1

220÷240 V - **50 Hz**

110÷115 V - **50 Hz**

220÷230 V - **60 Hz**

110÷115 V - **60 Hz**

Pump: ● Single unit

Adjustment: ● 0-10 scale micrometer knob

Material: ● Aluminium casing
● PTFE coated cast iron lantern ring

Stroke: ● **15 mm.**

Weight: ● **15÷30 Kgs**

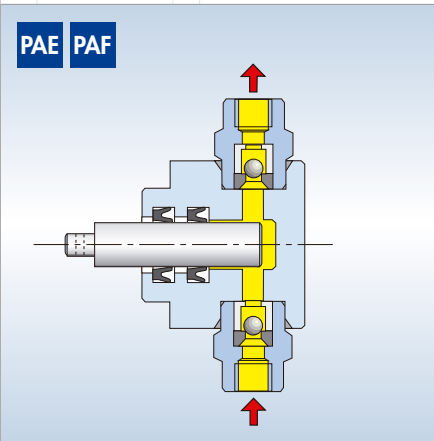
MODEL NUMBER

KEY TO SYMBOLS	
PUMP MODEL	
Ø	PLUNGER
A	AISI-316L VERSION
P	PVC VERSION
STROKES PER MINUTE	
Z	OBL 4±20 mA ELECTRIC ACTUATOR
W	3±15 PSI PNEUMATIC ACTUATOR
F	UNI-DIN FLANGED CONNECTIONS

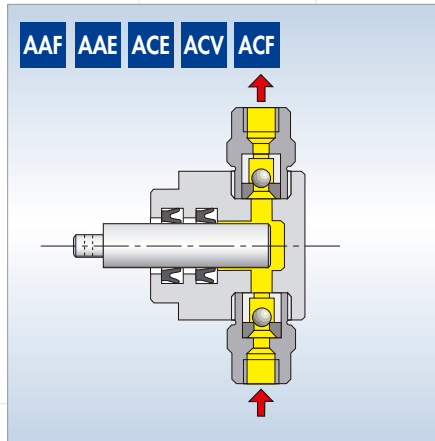
RBA 30 A 95

PUMP HEADS MATERIALS OF CONSTRUCTION

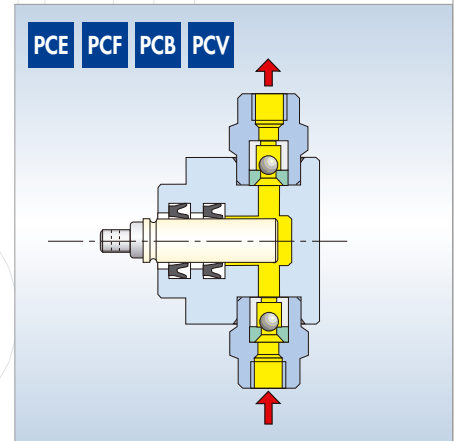
PARTS	PAE	PAF	PCE	PCF	PCB	PCV	AAF	AAE	ACE	ACV	ACF
LIQUID END	PVC	PVC	PVC	PVC	PVC	PVC	AISI-316L	AISI-316L	AISI-316L	AISI-316L	AISI-316L
PLUNGER	AISI-316L	AISI-316L	CERAMIC	CERAMIC	CERAMIC	CERAMIC	AISI-316L	AISI-316L	CERAMIC	CERAMIC	CERAMIC
VALVE SEAT	AISI-316L	AISI-316L	PVC	PVC	AISI-316L	AISI-316L	AISI-316L	AISI-316L	AISI-316L	AISI-316L	AISI-316L
VALVE GUIDE	PP	PP	PP	PP	PP	PP	AISI-316L	AISI-316L	AISI-316L	AISI-316L	AISI-316L
VALVE	AISI-316L	AISI-316L	PIREX	PIREX	AISI-316L	AISI-316L	AISI-316L	AISI-316L	AISI-316L	AISI-316L	AISI-316L
VALVE CONTAINER	PVC	PVC	PVC	PVC	PVC	PVC	AISI-316L	AISI-316L	AISI-316L	AISI-316L	AISI-316L
PLUNGER PACK.	EPDM	FPM	EPDM	FPM	EPDM	VULKOL.	FPM	EPDM	EPDM	VULKOL.	FPM



PVC head, stainless steel plunger and valves. "PA" execution. Threaded connections.



Stainless steel head and inox steel plunger. "A" execution. Threaded connections.

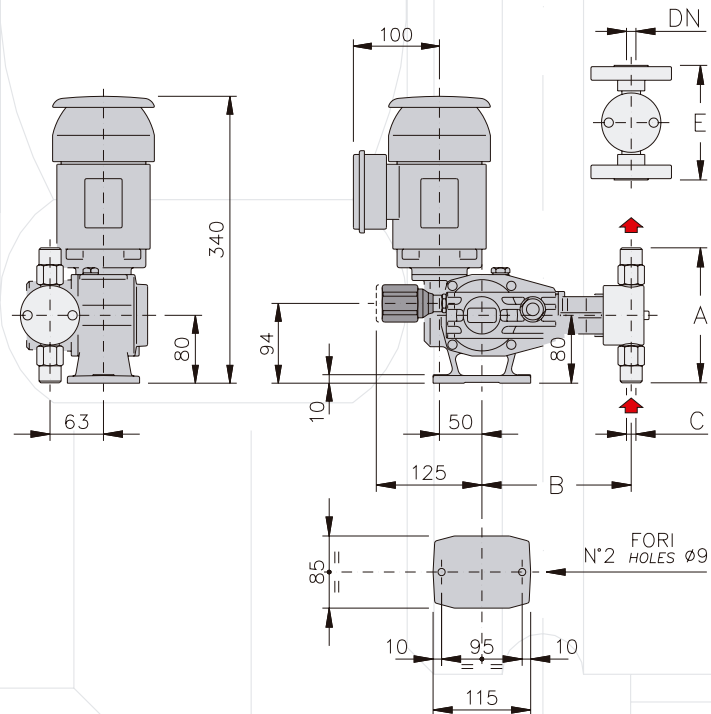


PVC head, ceramic plunger. "PC" execution. Threaded connections.

OVERALL DIMENSIONS

CONSTRUCTION CHARACTERISTICS

- **Mechanism:**
Mechanism and reduction gear are enclosed in an oil-bath lubricated aluminium casing. PTFE coated cast iron lantern ring.
- Smooth flowrate adjustment by control knob, both with pump running and at rest.
- 1.5 metres max suction lift.



TYPE	AISI 316 L					PVC				DN UNI		DN ANSI		
	50Hz	60Hz	A	B	C g.f.	E	A	B	C g.f.	E	AISI	PVC	AISI	PVC
RBA 16			121	180	3/8" g.f. BSPF	135	182	174	3/8" g.f. BSPF	146	15	15	1/2"	1/2
RBA 25			121	180	3/8" g.f. BSPF	135	182	174	3/8" g.f. BSPF	146	15	15	1/2"	1/2
RBA 30			121	180	3/8" g.f. BSPF	135	182	174	3/8" g.f. BSPF	146	15	15	1/2"	1/2
RBA 43			126.5	180	3/8" g.f. BSPF	140.5	194	177	3/8" g.f. BSPF	158	15	15	1/2"	1/2
RBA 50			157	193	1/2" g.f. BSPF	157	214	183	1/2" g.f. BSPF	176	15	15	1/2"	1/2
RBA 62			155	198	1/2" g.f. BSPF	159	240	195	1/2" g.f. BSPF	202	15	15	1/2"	1/2

SECTIONAL VIEW

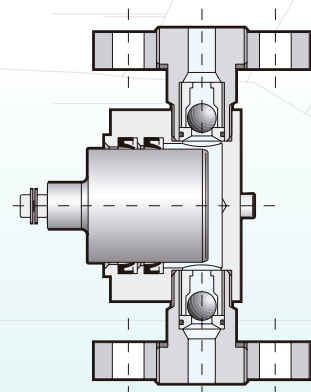
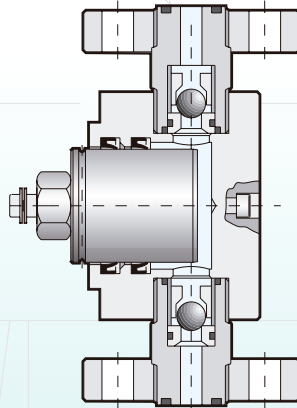
PUMP HEADS

- Execution with single ball valves only.
- Plunger lip seals, three materials: FPM - EPDM - VULKOLLAN.
- Suction and discharge connections normally threaded; on demand, flanged.
- The construction materials are listed at page 4.
- Max. temperature for all lip seal types: 40 °C.

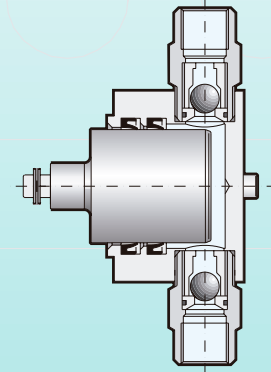
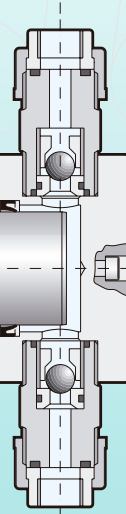
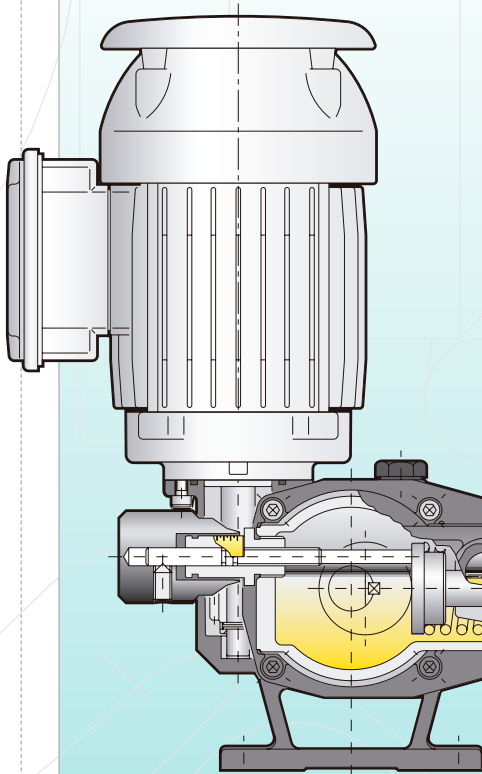
PVC

AISI 316L

FLANGED EXECUTIONS



THREADED EXECUTIONS



ADJUSTMENT SYSTEMS

- **Manual:** With 0-10 scale micrometer knob.
- **Electric:** Via OBL designed Z electrical actuator.
- **Pneumatic:** Via a 3÷15 PSI. W pneumatic actuator.

STANDARD MANUAL ADJUSTMENT

- Adjustment via 0-10 scale micrometer knob.

